

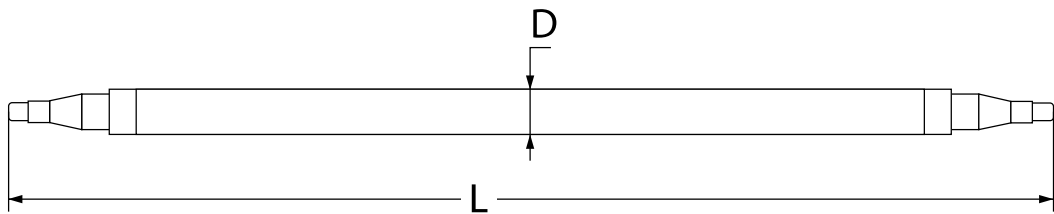
AXLES

STRAIGHT BEAM AXLES

Straight beam axles are the most classic and common type of axles. Typically used on domestic trailers, utility trailers, boat trailers and more. Straight beam axles are manufactured using a single solid piece of steel making them strong and durable.

AXLE SIZE (D)	AXLE BEAM PROFILE	AXLE CARRYING CAPACITY	MACHINING PROFILE
39mm	Round	750kg	LM
40mm	Square	1000kg	LM
45mm	Square	1400kg	S/LINE
50mm	Square	1500kg	S/LINE
50mm	Square	1600kg	PARALLEL
50mm	Square	2000kg	2T
63mm	Square	2400kg	2T
65mm	Round	2400kg	2T

Length (L): Axles can be manufactured to your required length. Otherwise refer to our stocked axle sizes on page 8.



Need a custom size? We can do that too.
We understand that each of our customers have different needs. We manufacture custom made axles to various tailored sizes and loading capacities.



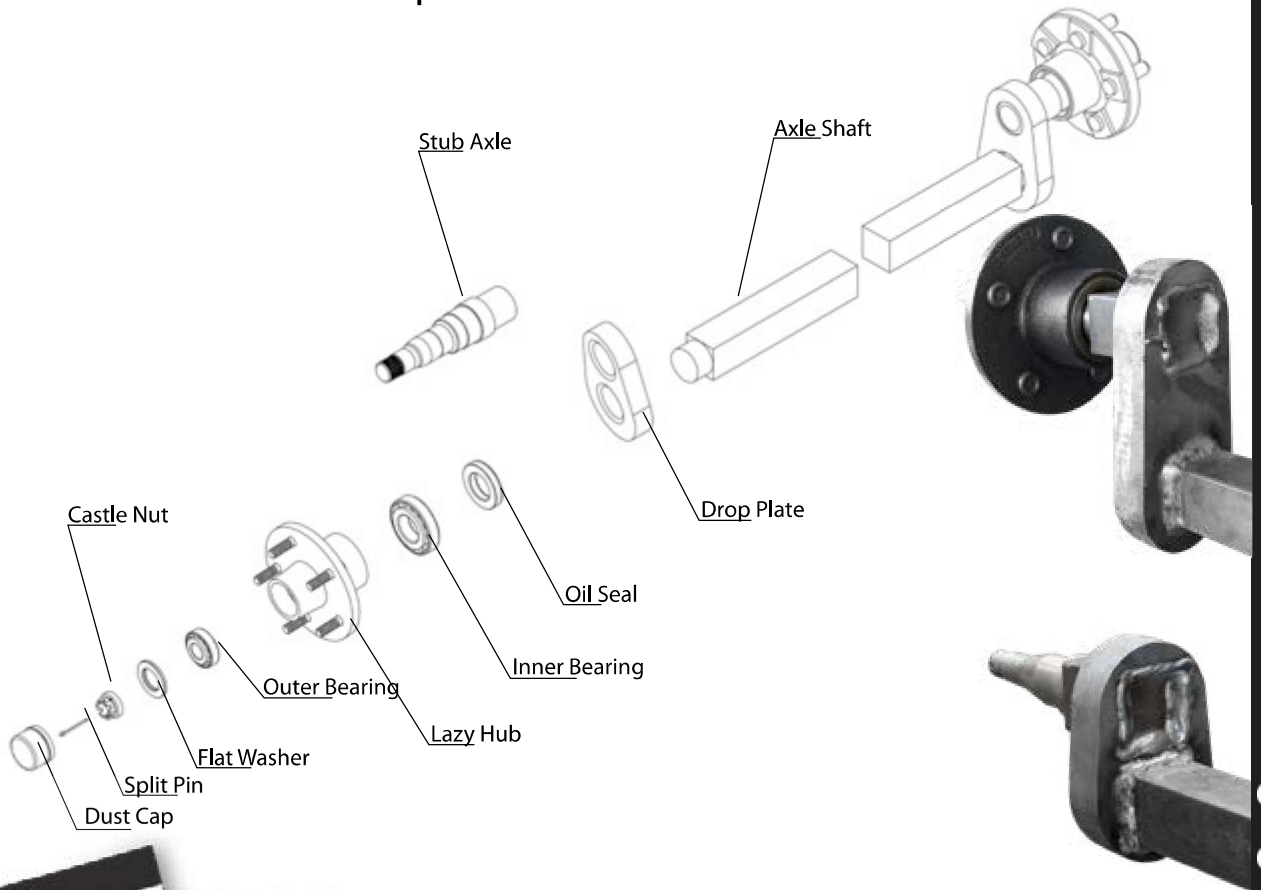
OVERLAY BEAM AXLES

Overlay beam axles are machined using solid tensile steel shaft with the stub axles welded on top of the main structural beam. As a result, this creates a clearance space between your axle and trailer body, allowing your trailer to be lower to the ground. This is useful for fitting under height clearances and make loading the trailer easier, as the lower height assists with a more accessible entry and exit.



DROP BEAM AXLES

Drop beam axles provide a much lower ride height than an overlay beam axles provide. Using a drop plate, the stub axle and axle shaft are welded onto either side, allowing for an even lower height dependent on the drop plate. These are typically used for race car trailers and horse floats where lower heights are required for easier entry and exit. **These axles can be done in a 2" or 4" Drop.**

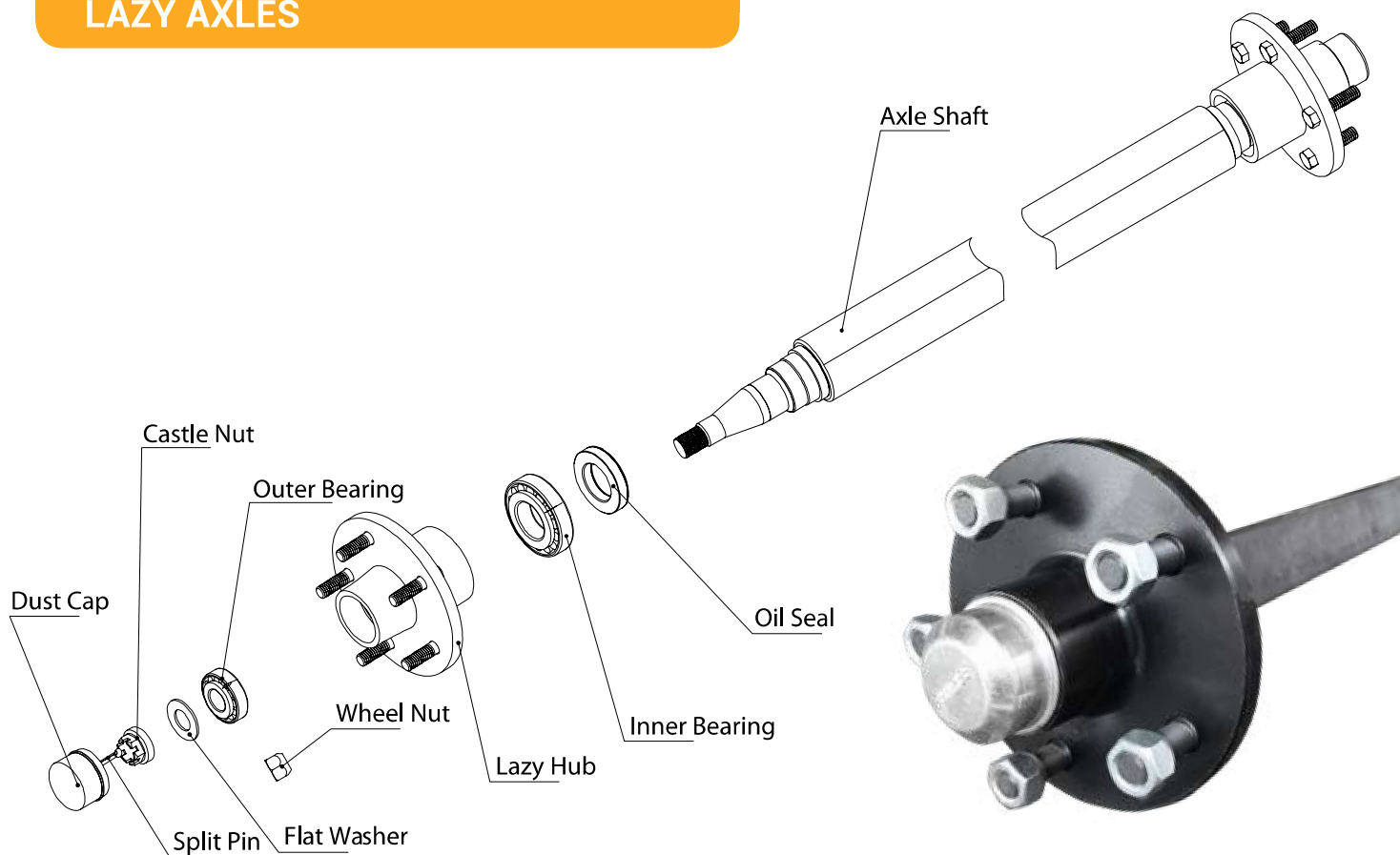


ORDER FORM PAGE 128

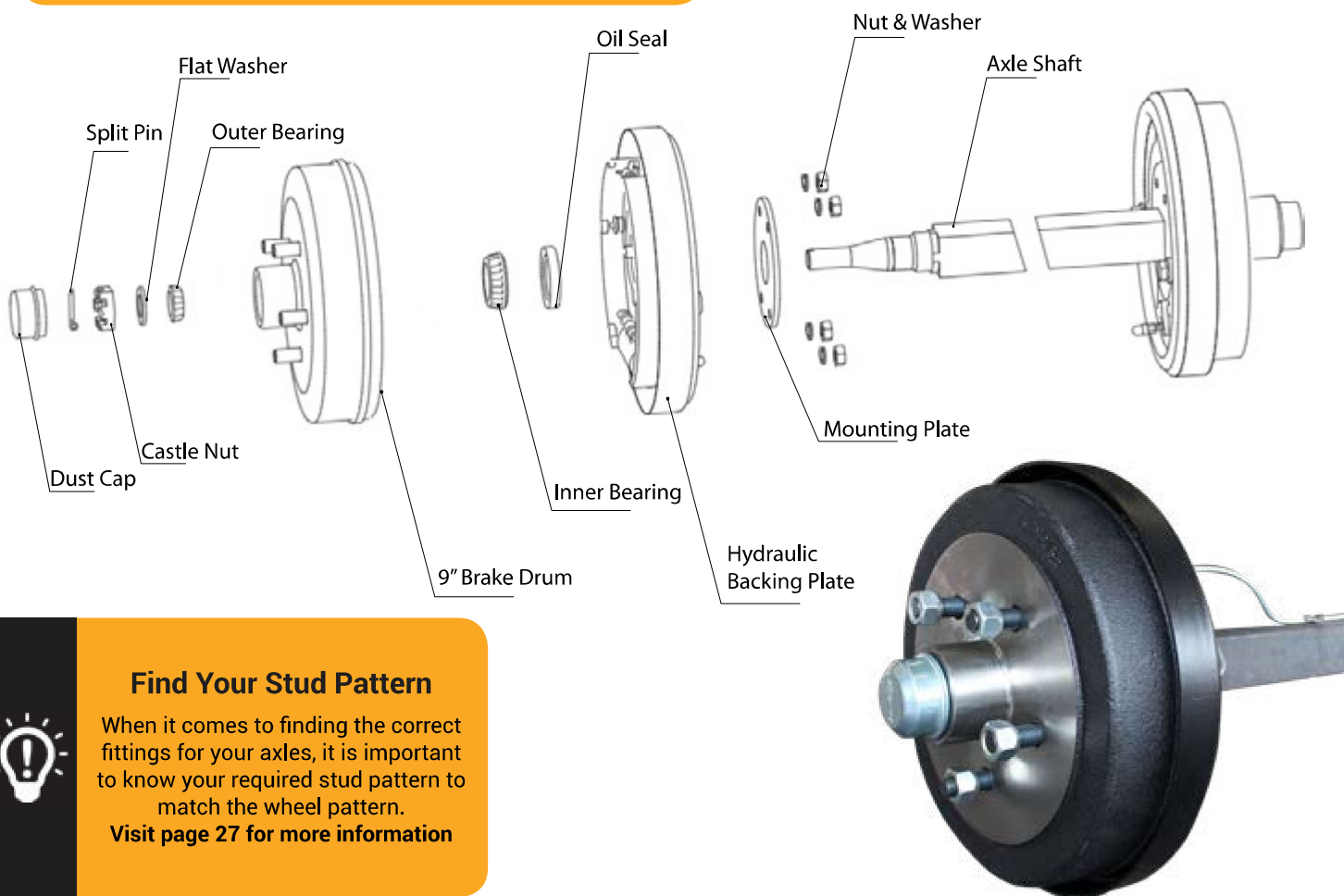


**Have a Question?
We can help you.**
☎ 03 9794 0415

LAZY AXLES



HYDRAULIC DRUM BRAKED AXLES



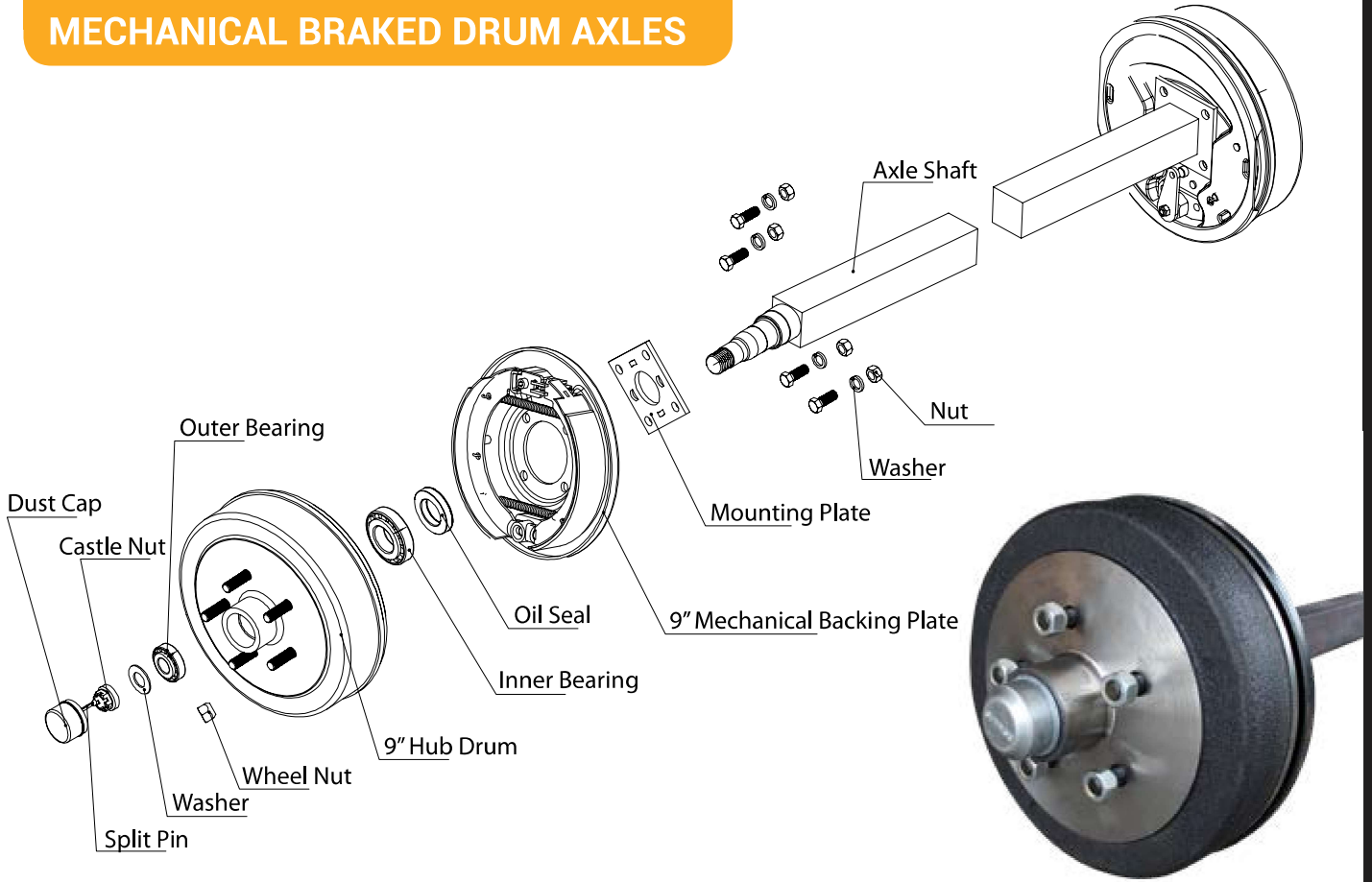
Find Your Stud Pattern

When it comes to finding the correct fittings for your axles, it is important to know your required stud pattern to match the wheel pattern.

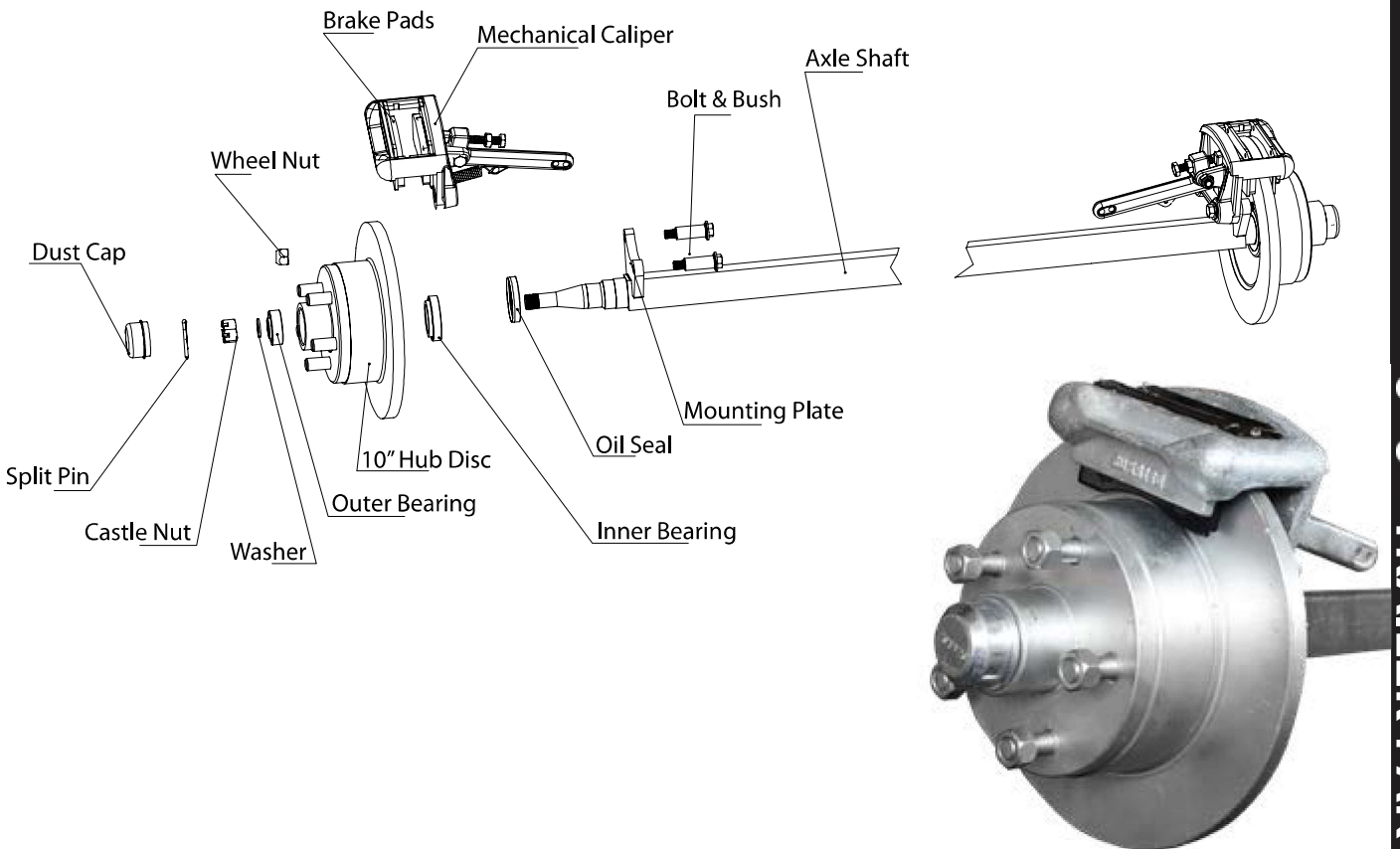
Visit page 27 for more information



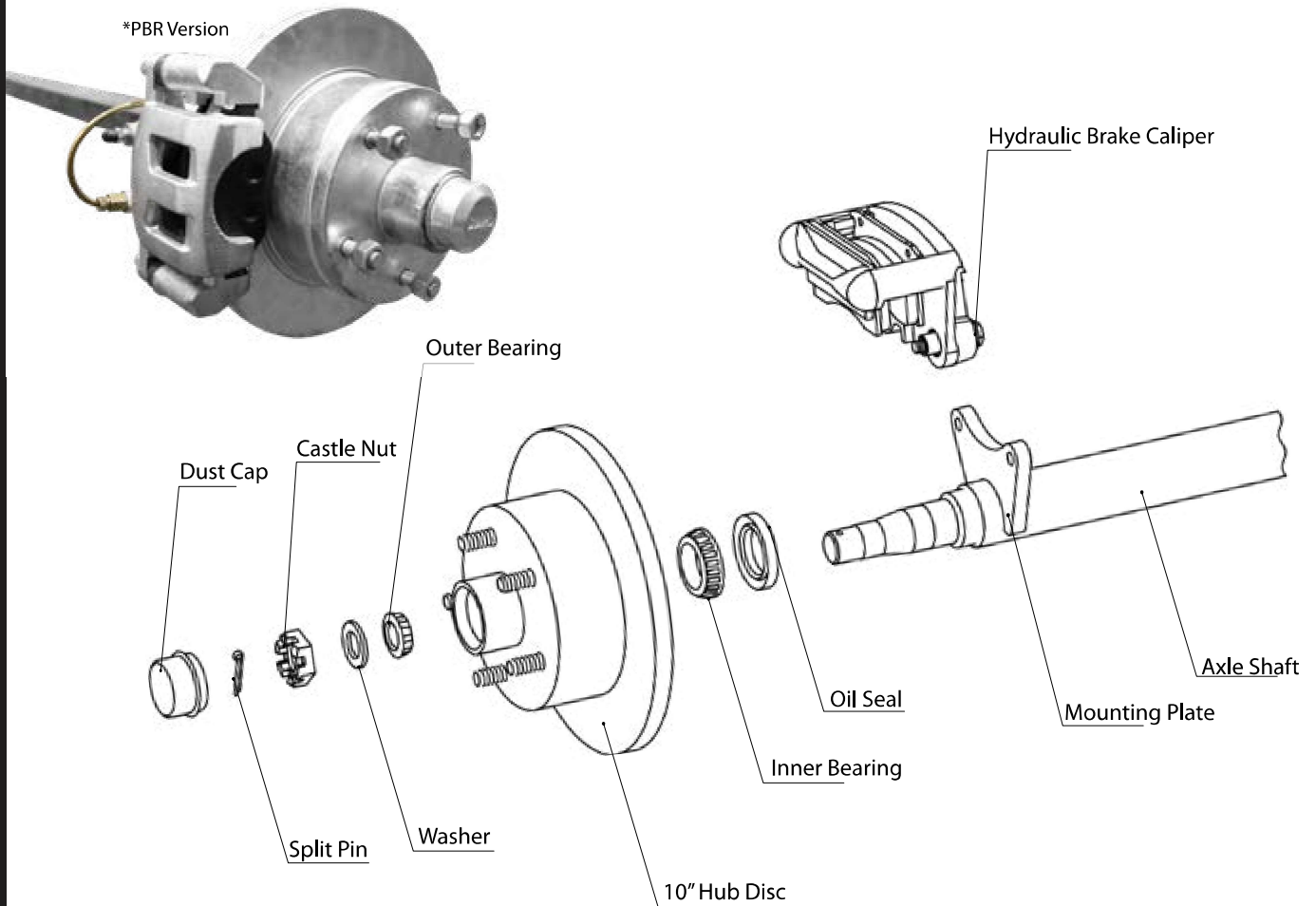
MECHANICAL BRAKED DRUM AXLES



MECHANICAL DISC BRAKED AXLES



HYDRAULIC DISC BRAKED AXLES



AXLE-LESS[®]

TRAILER SUSPENSIONS

- ✓ Maximise Ground Clearance
- ✓ Progressive Jounce Spring
- ✓ Rebound Spring for Constant Tension
- ✓ Easy Bolt-On Installation
- ✓ Urethane Bushings for Quiet Operation
- ✓ Limited Lifetime Warranty

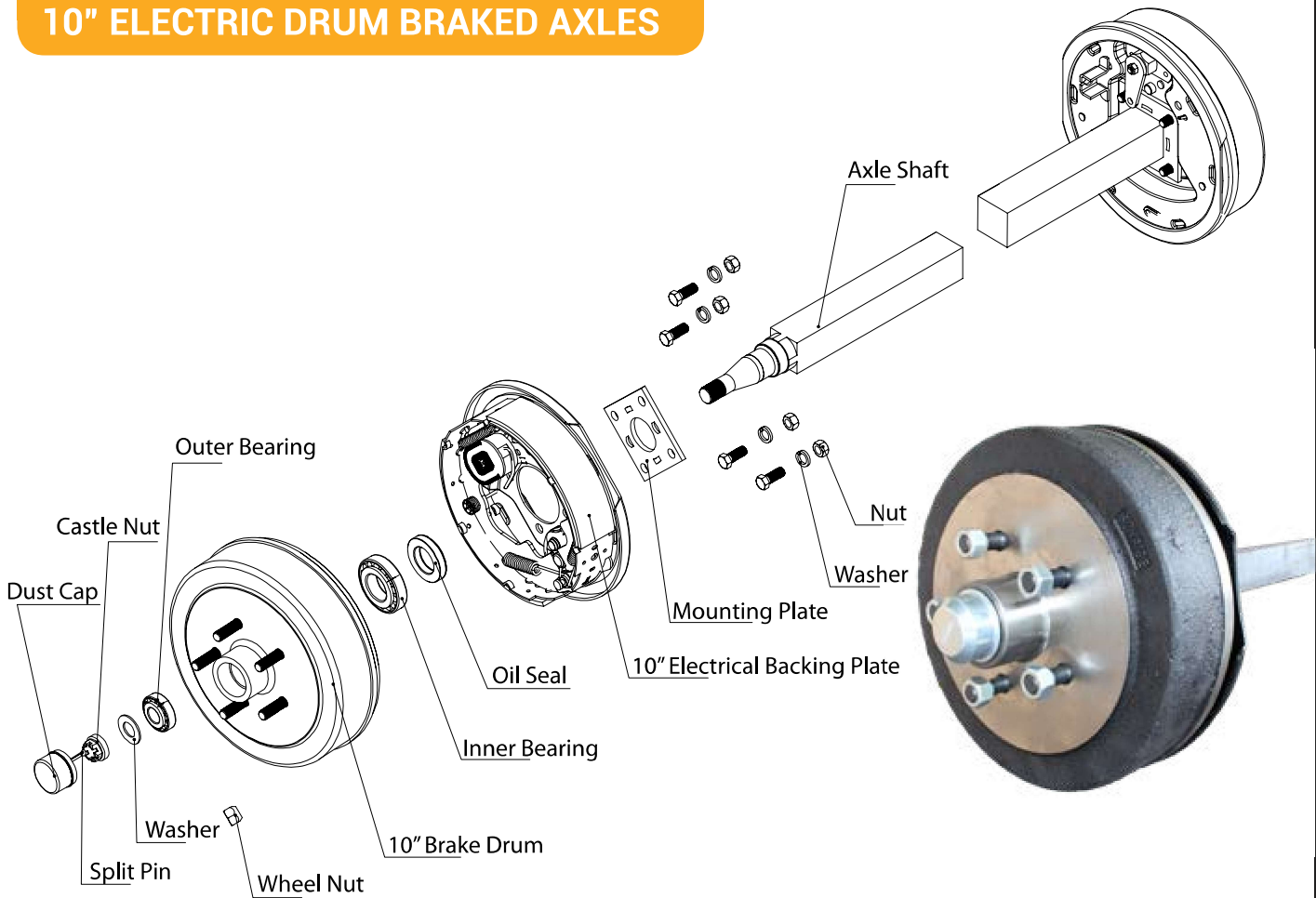


TIMBREN

See page 29

WE ARE TIMBREN DISTRIBUTORS

10" ELECTRIC DRUM BRAKED AXLES



12" ELECTRIC DRUM BRAKED AXLES

