

MINI MOVER

GEN 3

For Caravans, Campers,
Boats and Trailers

Make your trailering easier with the Mini Mover! The Novawinch 12V 550W electric motorized jockey wheel provides the added muscle you need. Tough and powerful, connected to your 12V battery, it's capable of moving max to 6,000 lb (2722kg) up an incline to 7 degrees!



Max pull up to
7 degree

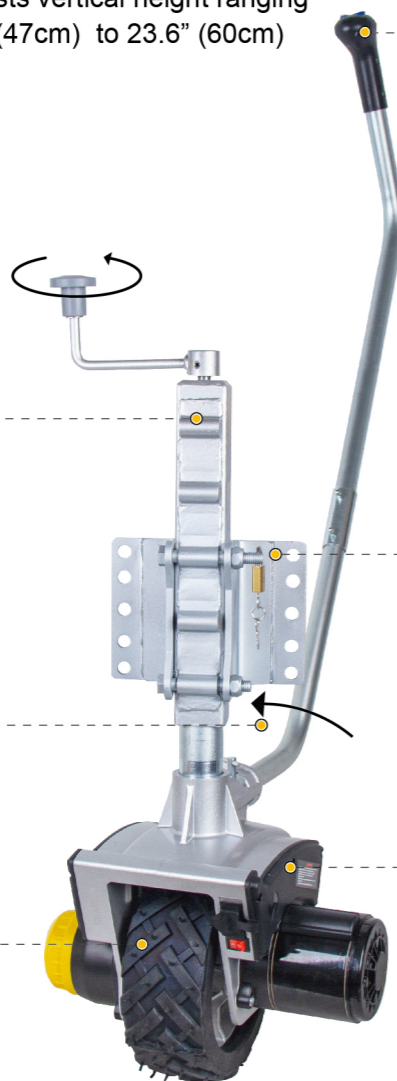


handle can be
rotated left or right
for easy operation

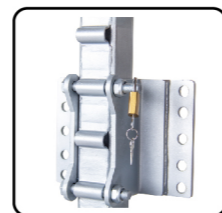


Extra large no-flat 8" tire
with rubber tread for
maximum traction

Easily adjusts vertical height ranging
from 18.5" (47cm) to 23.6" (60cm)



Power Forward and
Power Reverse



New mount is ultra secure and
lockable (lock & key included!)

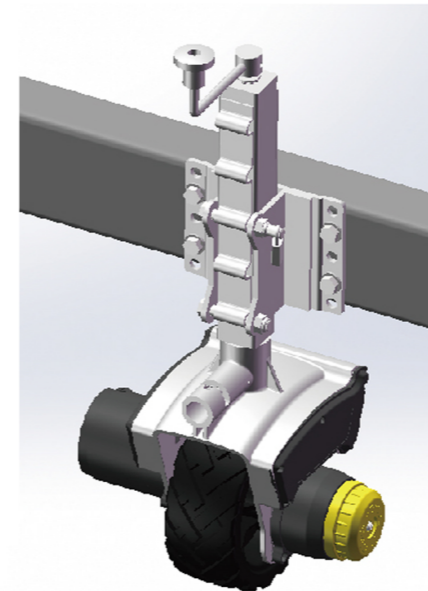


Clutch design allows
steering without power

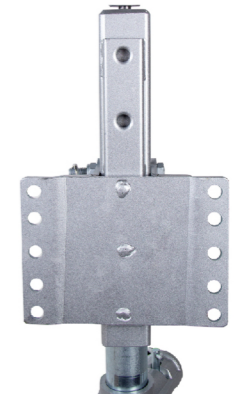
MINI MOVER

GEN 3

NEW UPDATED
CLAMP AND JACK



- **New! Welded design integrates clamp, the most secure yet!**
- **New! Designed to eliminate slippage**
- **New! Simple bolt design is easy to install**
- **New! U-Bolts to suit 75mm and 100mm drawbars can be purchased separately!**



MINI MOVER GEN3

SPECIFICATIONS:

Motor power: 12V DC 550W
Max jack load: 1100lb(498kg)
Max pulling load capacity:
 6000lb(2722kg)
Moving speed:
 6-7m/min
Net weight:
Mini Mover Gen3: 18.6kg
Gross Weight:
Mini Mover Gen3: 21kg

