

**WOLF**  
SUSPENSION

# LEAD THE PACK

When it comes to off-roading adventures, Australia is second to none. You can journey from lively green forests, through to mesmerising desert plains and glorious open coastlines.

Tackle the toughest conditions this beautifully rugged land has to offer. Forge the path forward with Wolf - the ultimate choice for independent trailer suspension.

Designed, manufactured and tested right here in Australia, you can depend on Wolf suspension's cutting edge technology to take you on far away adventures and get you back home again.



## Components

### ① Bump Stops

- Eco-friendly polyurethane
- Superior ride quality
- Corrosion resistant
- Protection from top-out



### ③ Delrin Bushes

- Lifetime warranty
- Non-binding
- Self-lubricating
- Full pivot flexibility



### ⑤ Trailing Arms

- Australian BlueScope™ steel
- E-coated premium finish
- Dual cross member design
- Engineer tested



### ② Coil Springs

- Durable chrome-silicon material
- Australian-designed & manufactured
- Optimum ride height
- Load tested in Australia



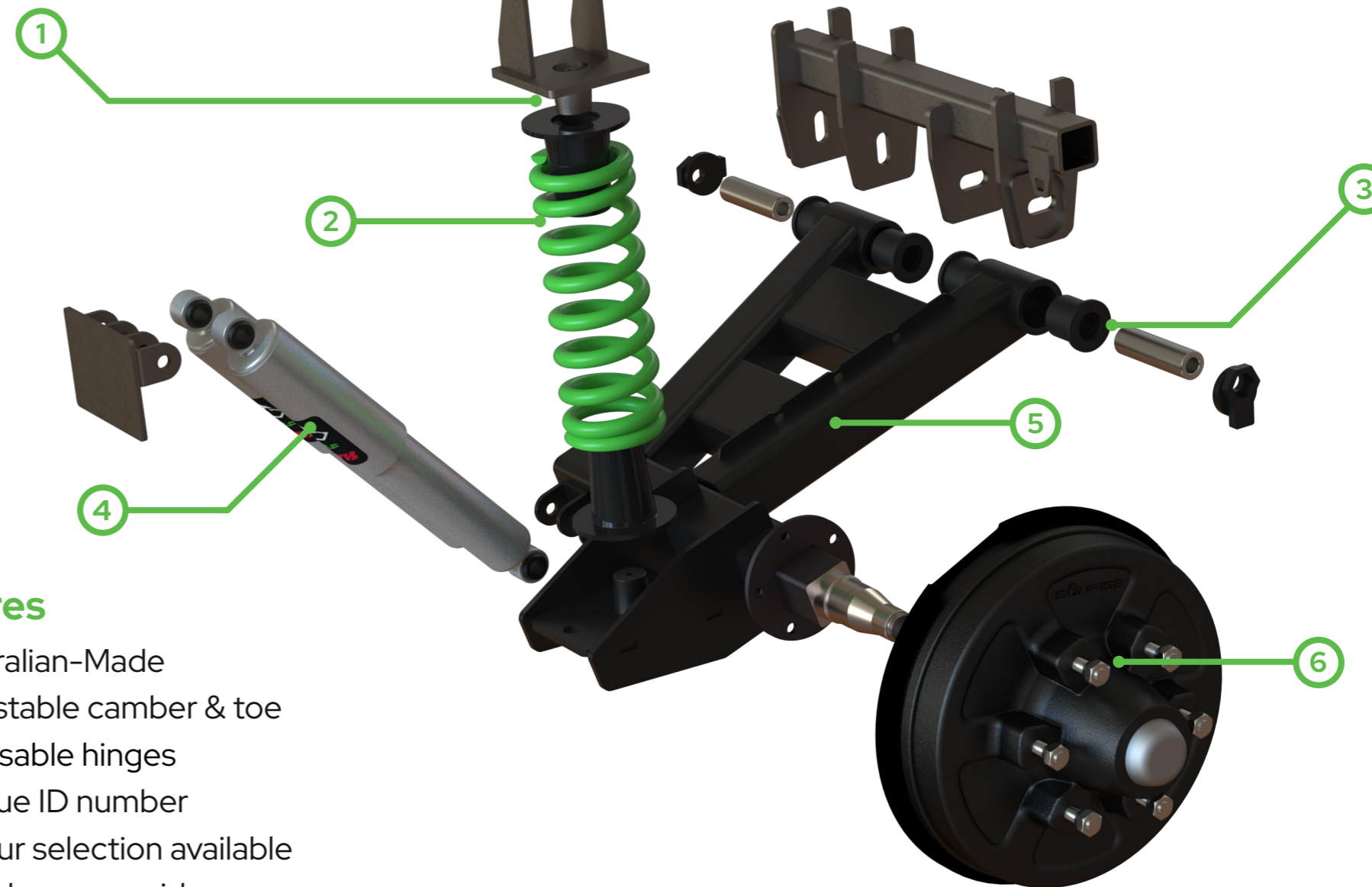
### ④ KYB™ Shock Absorbers

- Speed sensitive valving
- Teflon bushes
- All weather fluids
- Fast & easy installation



### ⑥ Sunrise™ Brakes

- Dampens vibration
- Japanese bearings
- Off-road backing plates
- High-quality brake shoes



## Features

- Australian-Made
- Adjustable camber & toe
- Greasable hinges
- Unique ID number
- Colour selection available
- Includes user guide





Axle Configuration	ATM (kg)	Brake Options
Single	2200	Hydraulic
Tandem	3200	Electric
	3700	10"



# KYB Shock Absorbers

All Wolf suspension systems are fitted with KYB Tena Force™ heavy duty shock absorbers.

With a large 35mm bore, the Tena Force™ shock absorber incorporates an increased oil capacity to minimise overheating and fade-out while in operation.

Designed in Japan for heavier payloads, these shocks ensure superior stability and exceptional performance.

### Twin Tube Design

- Hardened 16mm piston rod
- Handles extreme conditions

### Seamless Eye Rings

- Snug fit around mounting bush
- Eliminates weak points

### 4 Step Multi Lip Seals

- Eliminates contamination
- Maintains oil & gas integrity

### Speed Sensitive Valving

- Multi-stage compression
- Instant response for fast recovery

### Hard Chromed Pistons

- Micro-smoothness
- Reduced friction & heat

### All Weather Fluids

- Maintains constant viscosity
- Provides consistent control



Designed, Tested & Manufactured in **Australia**



[sunriseint.com.au/wolf](http://sunriseint.com.au/wolf)

[sunriseint.com.au/wolf](http://sunriseint.com.au/wolf)



## Specifications

Axle Configurations	ATM Ratings	Stub Profile	Brake Options	Stud Pattern Options
Single	1600kg	Parallel	• Hydraulic Disc Brake	• LandCruiser 5 Stud
	2200kg	2T	• Electric Drum Brake	• LandCruiser 6 Stud
Tandem	2800kg	Parallel	• 10" or 12" - Off Road	• Other-Upon Request
	4000kg	2T	• Other-Upon Request	



## Colour Selection



Wolf Classic



Carbon Black



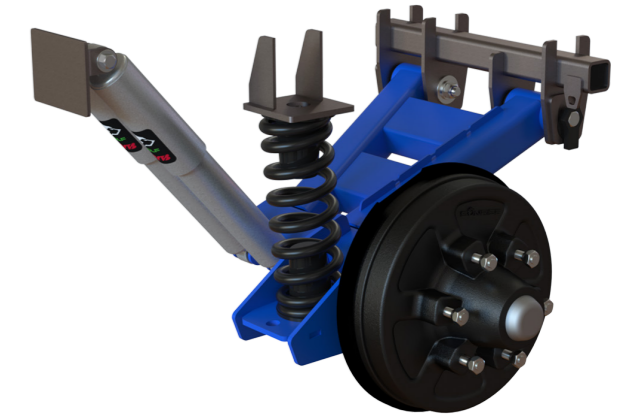
KYB Red



Sunrise Orange



Wolf Green



Marine Blue



WE'VE GOT YOU COVERED

## Warranty & Resources



## Your trusted supplier of trailer parts



Trailer



Truck Body



Winches



Electricals



Hardware



### 5 Year Warranty

All Wolf suspension systems are backed by a 5 year warranty (3 years standard + 2 years extended with product registration) so you are free to focus on enjoying your next off-road adventure.



### Comprehensive Policy

Deal with confidence. For more information about our full warranty policy or to make a claim, visit our website's warranty page.

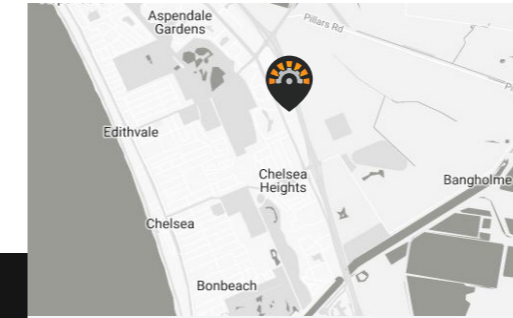
[sunriseint.com.au/warranty-policy](http://sunriseint.com.au/warranty-policy)



### Registration & Resources

To register your suspension and access helpful resources including a user guide and FAQs, visit our website's Wolf Suspension page.

[sunriseint.com.au/wolf](http://sunriseint.com.au/wolf)

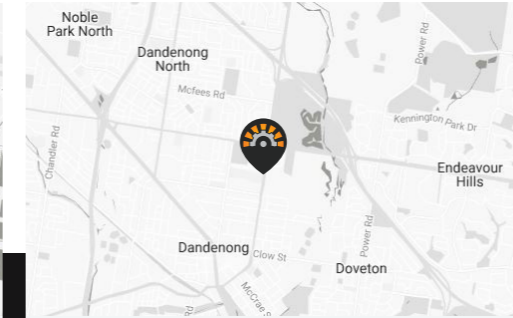


#### Head Office

1-3 Ashley Park Drive  
Chelsea Heights VIC 3196

03 9794 0415

[sales@sunriseint.com.au](mailto:sales@sunriseint.com.au)



#### Melbourne

12-14 Hammond Road  
Dandenong VIC 3175

03 8352 4219

[dandenong@sunriseint.com.au](mailto:dandenong@sunriseint.com.au)

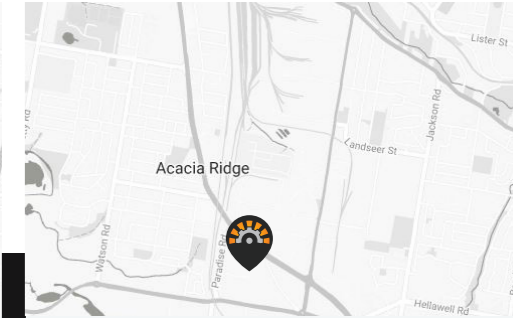


#### Sydney

5 Sammut Street  
Smithfield NSW 2164

02 8798 4214

[nsw@sunriseint.com.au](mailto:nsw@sunriseint.com.au)



#### Brisbane

5 Iris Place  
Acacia Ridge QLD 4110

07 3277 5349

[qld@sunriseint.com.au](mailto:qld@sunriseint.com.au)

### A policy you can get behind

At Sunrise we are committed to providing you genuine customer service. All our goods come with guarantees that cannot be excluded under the Australian Consumer Law. You are entitled to ask us for a repair, replacement or refund under the Australian Consumer Law. We understand that sometimes things go wrong. That's why we have a streamlined process to provide you great customer service and help solve your problems swiftly.

- 20+ years experience
- Over 2000+ products
- Trusted by over 500 brands

- Fast turnaround
- Abundant stock
- Australia-wide delivery

VISIT OUR SITE

[sunriseint.com.au](http://sunriseint.com.au)



