

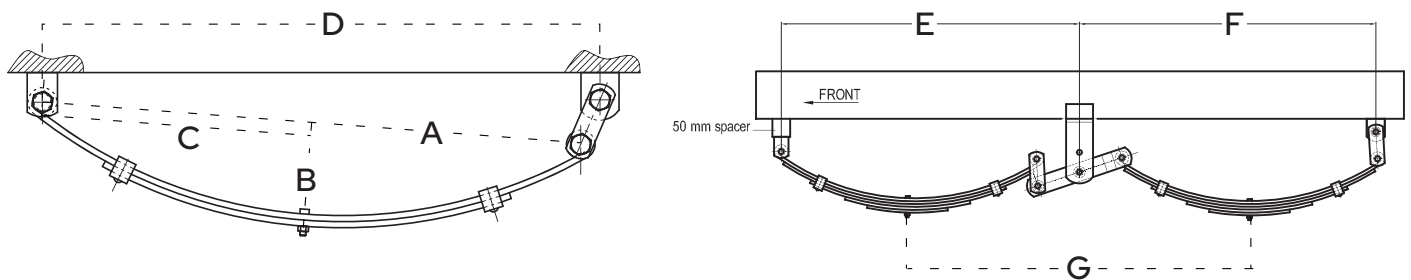
EYE TO EYE (SHACKLE) SPRINGS

45mm Leaf

Both ends of the spring are coiled into an eye into which a bush is placed. The front of the spring is captive in a spring "hanger" and the rear of the spring is allowed to swing on shackle bolts and shackle plates around a rear "hanger" or "dumb jack" and pin.

This spring system gives smooth operation, with the parts which naturally wear over time, being able to be replaced.

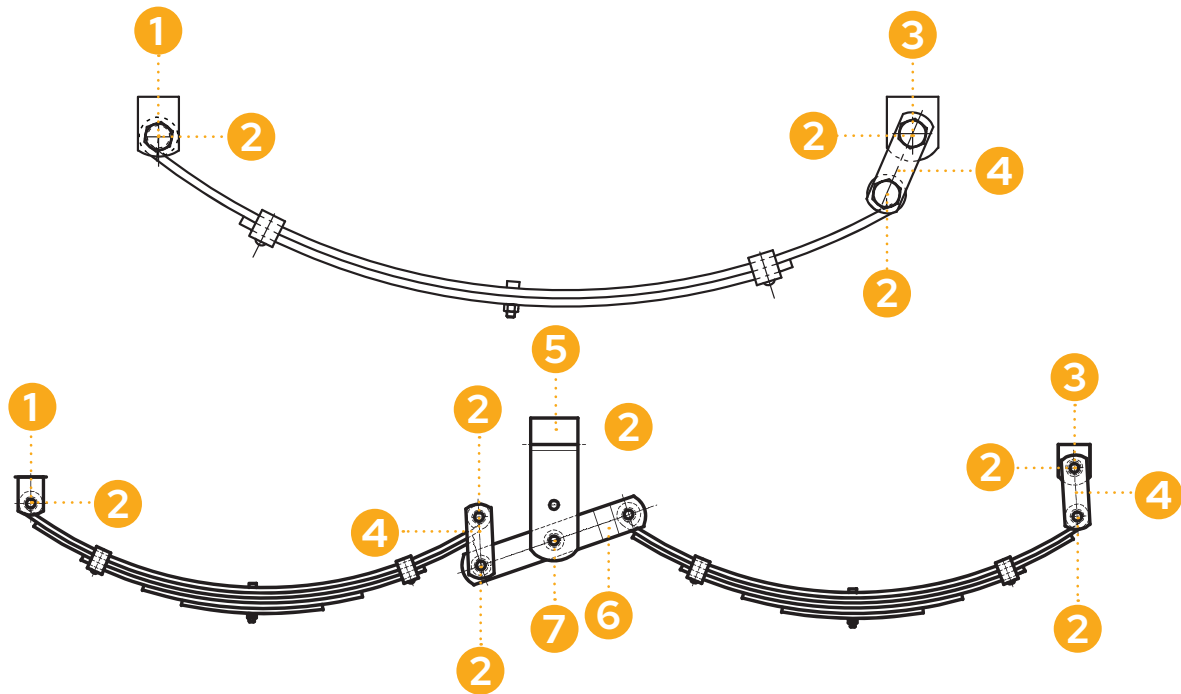
Eye to eye springs are the most commonly used spring when a multi axle configuration is being considered. By linking the springs through a "rocker" assembly, a transfer of load is achieved when one axle is carrying a large percentage of the weight (crossing kerbs etc.) so that the loads are more evenly spread throughout the system.



CODE	DESCRIPTION	LEAF THICKNESS (mm)	A (mm)	B (mm)	C (mm)	D (mm)	E (mm)	F (mm)	G (mm)	Capacity for 2 springs(kg)
S5PEE45	5 Leaf Eye to Eye Spring	8	711	120	355	735	830	825	960	1200
S6PEE45	6 Leaf Eye to Eye Spring	8	711	120	355	735	830	825	960	1400
S7PEE45	7 Leaf Eye to Eye Spring	8	711	120	355	735	830	825	960	1500
S8PEE45	8 Leaf Eye to Eye Spring	8	711	120	355	735	830	825	960	1600

EYE TO EYE SPRINGS ACCESSORIES

45mm Leaf



FH45N
Front Hanger Suit 45mm
Spring



SB16100
Shackle Bolt Solid with
Nyloc Nut



DJ45N
Dumjack with Nylon Bush
Suit 45mm Spring



SP45N63
Shackle Plate Suit 45mm
Spring



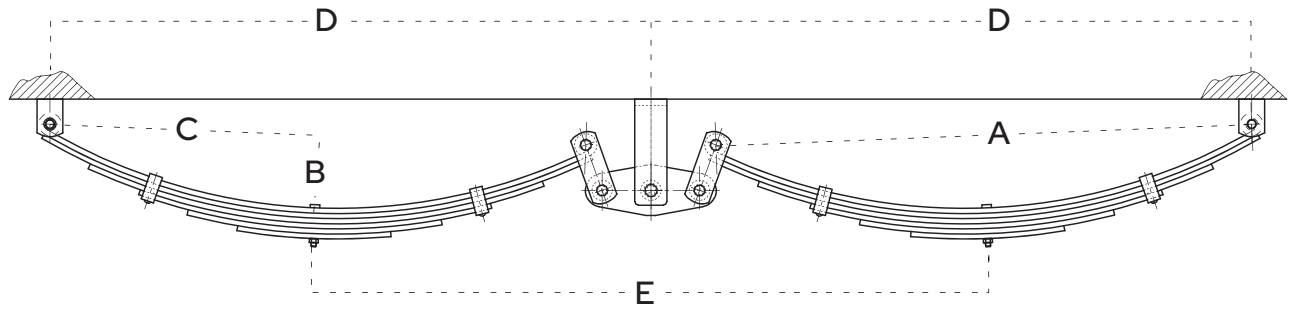
CHRH60N
Centre Hanger



CRAF45P
Centre Rocker Arm



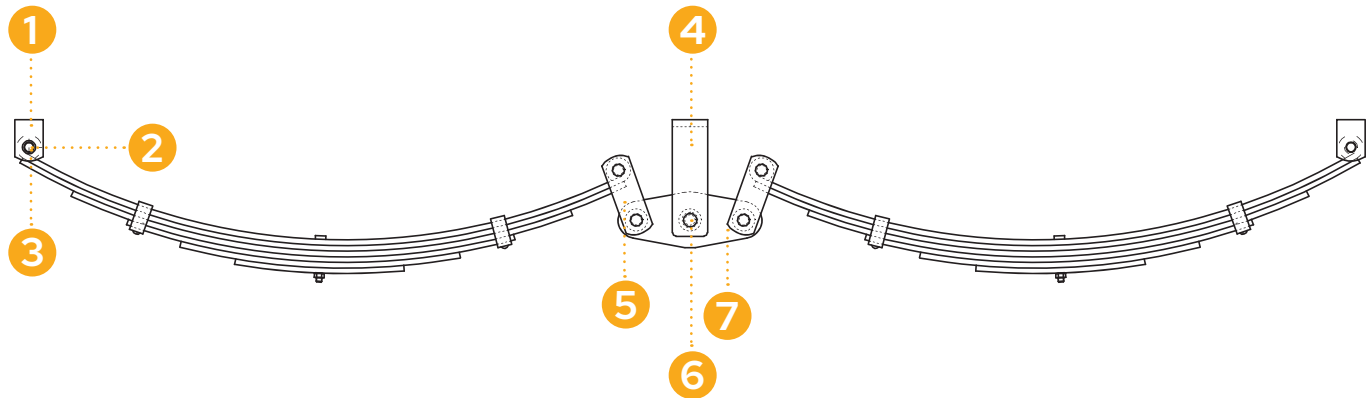
SB16100
Shackle Bolt Solid with
Nyloc Nut



60MM X 6MM TANDEM ROCKER (16mm Eye)

CODE	DESCRIPTION	LEAF THICKNESS (mm)	A (mm)	B (mm)	C (mm)	D (mm)	E (mm)	Capacity for 2 springs(kg)
SRA5P	5 Leaf Tandem Assemble	6	700	120	386	825	893	2000
SRA6P	6 Leaf Tandem Assemble	6	700	120	386	825	893	2500
SRA7P	7 Leaf Tandem Assemble	6	700	120	386	825	893	3000
SRA8P	8 Leaf Tandem Assemble	6	700	120	386	825	893	3500

60mm Eye to Eye Spring Kit parts



FH60N
Front Hanger Suit 60mm Spring



SB16100
Shackle Bolt Solid with Nyloc Nut



NB162260
Nylon Bush 60mm



CHRH60N
Centre Hanger



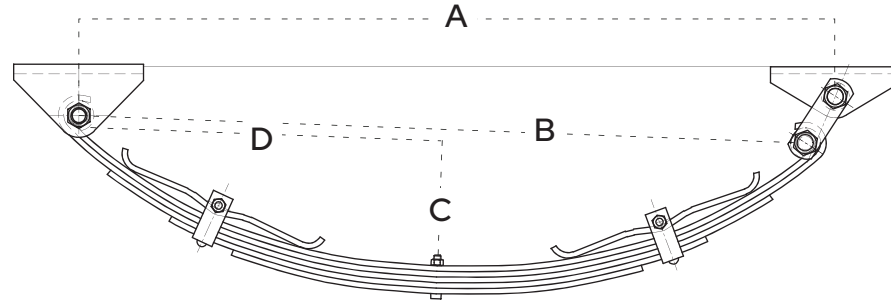
SP60N
Shackle Plate Suit 60mm Spring 5/8" Hole



CRAF60P
Centre Rocker Arm

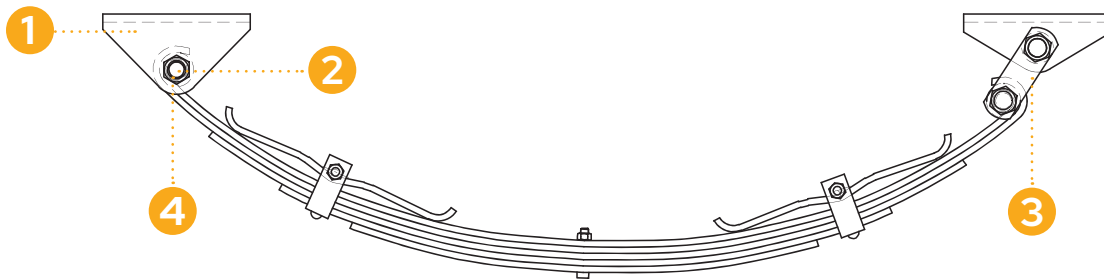


SB16100
Shackle Bolt Solid with Nyloc Nut



Off-Road 60MM X 7MM (16MM Eye)

CODE	DESCRIPTION	LEAF THICKNESS (mm)	B (mm)	C (mm)	D (mm)	Capacity for 2 springs(kg)
ORSSO7	7 Leaf Off-Road Rebound Spring	7	841	158	420	1500
ORSSO9	9 Leaf Off-Road Rebound Spring	7	841	158	420	2000
ORSSO10	10 Leaf Off-Road Rebound Spring	7	841	158	420	2500



FHORS60
Off-Road Front Hanger



SB16100
Shackle Bolt Solid with Nyloc Nut



SP60N
Shackle Plate Suit 60mm Spring 5/8" Hole



NB162260
Nylon Bush 60mm